

# U.are.U<sup>®</sup> 4500 Reader

Optical USB Fingerprint Reader



## APPLICATIONS

- Desktop PC security
- Mobile PC security
- Custom applications

## FEATURES

- Blue LED
- Small form factor
- Excellent image quality
- Superior ESD resistance
- Encrypted fingerprint data
- Latent print rejection
- Counterfeit finger rejection
- Rotation invariant
- Rugged
- Works well with dry, moist or rough fingerprints
- Compatible with most U.are.U SDKs

## PRODUCT DESCRIPTION

The U.are.U 4500 Fingerprint Reader is a USB peripheral perfect for individual desk top users, as well as multiple users in shared environments. Its compact design conserves desk space in enterprises, and its professional, modern appearance looks elegant in point-of-sale environments. The U.are.U 4500 Reader utilizes optical fingerprint scanning technology to achieve excellent image quality, a large capture area and superior reliability. A silicone coating allows it to read a wide range of fingerprints accurately and rapidly regardless of placement angle. The high-quality metal casing resists unintentional movement.

To use, simply place a finger on the reader window and the reader quickly and automatically captures and encrypts the fingerprint image before sending it to the DigitalPersona<sup>®</sup> FingerJet™ biometric engine for verification. For superior user feedback, a red “flash” indicates that a fingerprint image has been captured.

The U.are.U 4500 Fingerprint Reader is designed for use with a full range of Crossmatch™ software including our authentication solutions, as well as most of our U.are.U Software Development Kits. Whether you are an enterprise customer or a system integrator, Crossmatch's biometric identity verification solutions provide a natural extension to your security system and applications.

## ABOUT CROSSMATCH

Crossmatch helps organizations solve their identity management challenges through biometrics. Our enrollment and authentication solutions are trusted to create, validate and manage identities for a wide range of government, law enforcement, financial institution, retail and commercial applications. Our solutions are designed using proven biometric technologies, flexible enrollment and strong multi-factor authentication software, and deep industry expertise. We offer an experienced professional services capability to assess, design, implement and optimize our identity management solutions for a customer's individual challenges. Our products and solutions are utilized by over 200 million people in more than 80 countries.

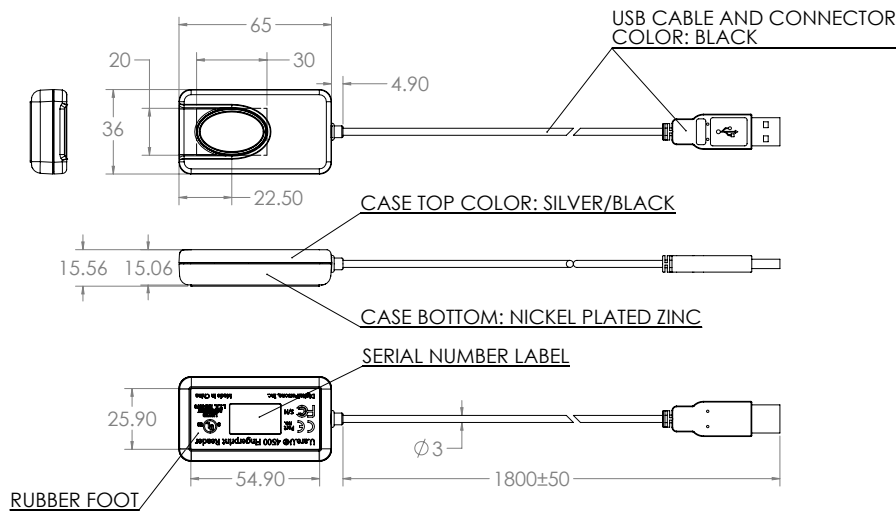
Learn more at [www.crossmatch.com](http://www.crossmatch.com)

# U.are.U<sup>®</sup> 4500 Reader

Optical USB Fingerprint Reader



## MECHANICAL SPECIFICATIONS



ALL DIMENSIONS ARE IN MILLIMETERS

## KEY SPECIFICATIONS

- Pixel resolution: 512 dpi (average x, y over the scan area)
- Scan capture area: 14.6 mm (nom. width at center) 18.1 mm (nom. length)
- 8-bit grayscale (256 levels of gray)
- Reader size (approximate): 65 mm x 36 mm x 15.56 mm
- Compatible with USB 1.0, 1.1 and 2.0 (Full Speed) specifications

## RATINGS

Supply Voltage	5.0V ±5% supplied by USB
Supply Current—scanning	< 100 mA (Typical)
Supply Current—idle mode	120 mA (Typical)
Supply Current—suspend mode	< 0.5 mA (Maximum)
ESD Susceptibility	>15 kV, mounted in case
Temperature, Operating	0 - 40 C
Humidity, Storage	20% - 90% non-condensing
Scan Data	8-bit grayscale
Standards Compliance	FCC Class B, CE, ICES, BSMI, MIC, USB, WHQL
Weight	105 grams
Interface	USB 2.0 Full-speed High Power Device

Data subject to change without notice

### Corporate Headquarters:

#### Crossmatch

3950 RCA Boulevard, Suite 5001  
Palm Beach Gardens, FL 33410 USA

[www.crossmatch.com](http://www.crossmatch.com)